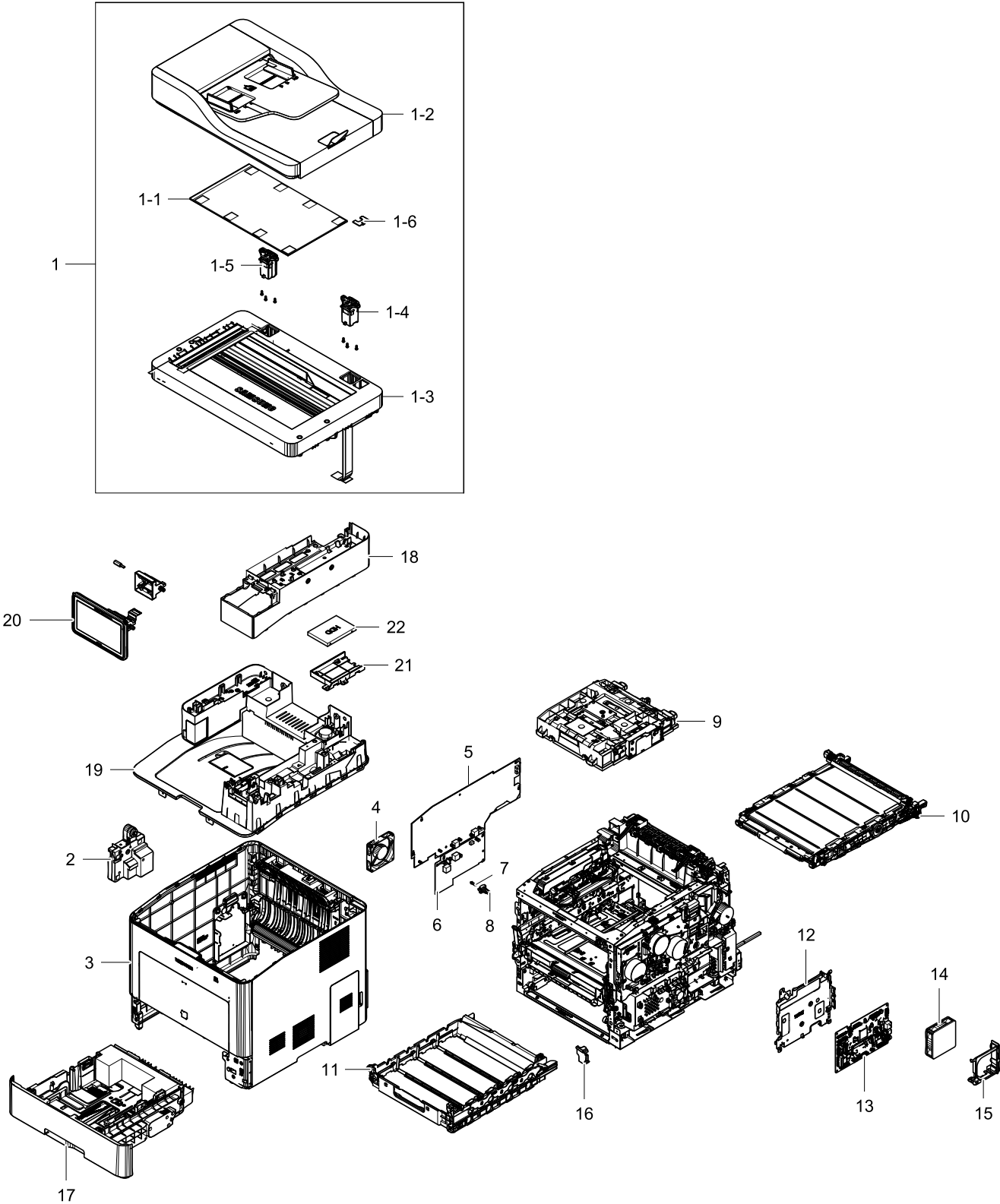


1. MAIN

Exploded View

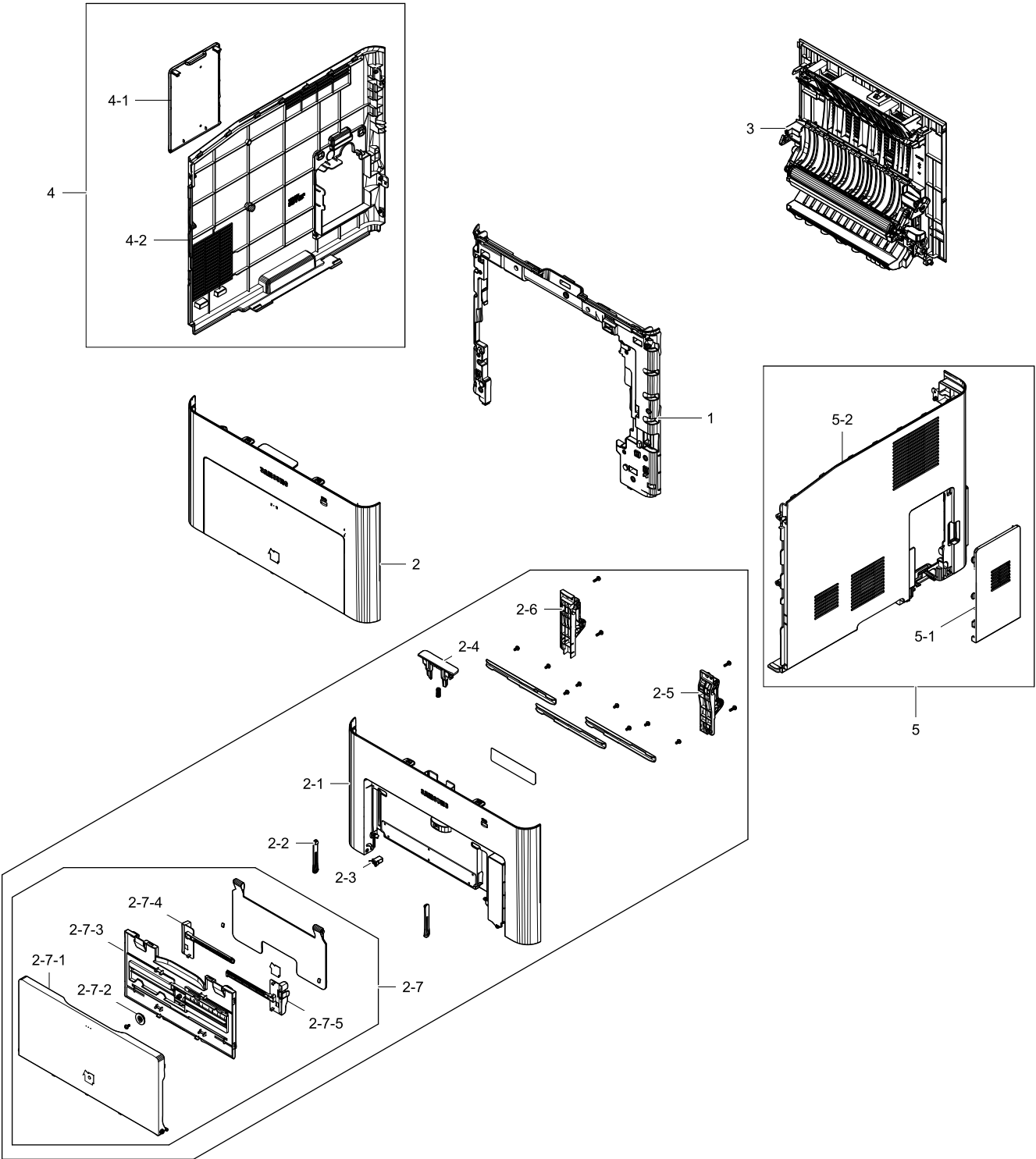


Parts List

No.	Lvl.	Loc.	Material Code	Description & Specification	SNA	Qty.
1	1		JC97-04818A	SCANNER; C3562	SNA	1
1-1	2		JC63-04347A	SHEET-WHITE; SL-M4072,PP,0.45,W217.37,L36	SA	1
1-2	2		JC97-04451B	ADF; C2680,SEC	SA	1
1-3	2		JC97-04823A	PLATEN; C3562,NON-MD	SA	1
1-4	2		JC97-04912A	HINGE-RIGHT; M4580, C2680, M4080, C4062	SA	1
1-5	2		JC97-04911A	HINGE-LEFT; M4580, C2680, M4080, C4062	SA	1
1-6	2		JC63-04697A	COVER-CONNECTOR; M4580,ABS,SPLIT BROWN BL	SNA	1
2	1		JC96-06367A	CARTRIDGE-WTB; CLP-680ND	SA	1
3	1		JC95-02059C	COVER; C3562,SEC	SNA	1
4	3		JC31-00180A	FAN; 55g,24 V,2.75mmH20	SA	1
5	3		JC44-00244A	HVPS; C35 HVPS M/D,24V,21.6V~26.4V,Max-2k	SA	1
6	3		JC44-00243A	HVPS; C30-HVPS2,CH,24V,21.6~26.4V,Max 7KV	SA	1
7	3		JC93-00658A	FRAME-T1 TERMINAL; CLP-470N,XAA	SNA	1
8	3		JC61-07847A	HOLDER-TERMINAL; C30,ABS+PC,25.5,19.2,16.	SNA	1
9	1		JC97-04795A	LSU; C4010,SEC,CH,COLOR,55,216,Bottom,CCW	SA	1
10	1		JC93-01348A	ITB; C3510,35,216,230,241,NON-MD	SA	1
11	2		JC93-01339A	FRAME SUB-DRAWER; C3510,SEC	SNA	1
12	2		JC61-07963A	BRACKET-MAIN; C3510,EGI-SECC,0.6,PRESS	SNA	1
13	1		JC92-02795E	PBA MAIN; C4062,SEC,185 x 168,A3000,3GB,M	SA	1
14	2		JC31-00161A	FAN; Type7,24,170mA,0.949m^3/mi	SA	1
15	2		JC67-00766A	DUCT-FAN UPPER; C2620,HIPS,2,90,90,HB,519	SNA	1
16	2		JC63-03763A	COVER-CONN; CLP-680DW,HIPS,70,BLACK	SNA	1
17	1		JC90-01599A	CASSETTE; C3510,CH,219,55,Lifting gear,MD	SA	1
18	2		JC95-02058A	COVER-MIDDLE RIGHT; C4062,SEC	SA	1
19	1		JC95-02057A	COVER-MIDDLE; C4062,SEC	SA	1
20	1		JC97-04798A	OPE; C3562,SEC	SA	1
21	3		JC61-07494A	GUIDE-HDD; SL-C2680FX,ABS,HF-0660I,BLACK,	SNA	1
22	3		JC59-00035A	HDD; 320G,HTS543232A7A384,S63,H16,C16383,	SA	1

2. COVER

Exploded View

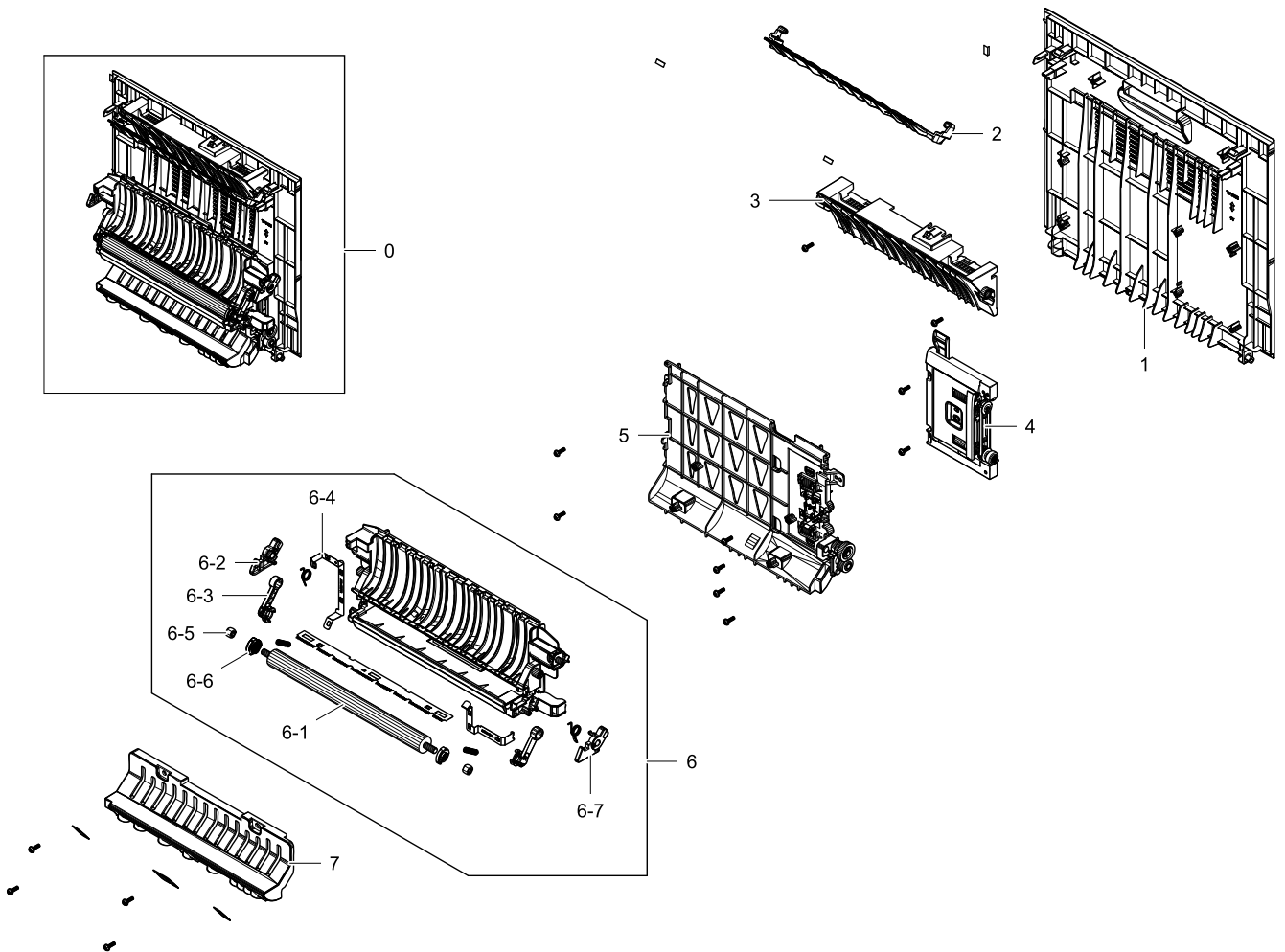


Parts List

No.	Lvl.	Loc.	Material Code	Description & Specification	SNA	Qty.
1	2		JC63-05455A	COVER-FRONT INNER; C3510,HIPS,CREAM WHITE	SA	1
2	2		JC95-02060C	COVER-FRONT; C4062,SEC	SA	1
2-1	3		JC63-03729B	COVER-FRONT; HIPS,Cream White	SNA	1
2-2	3		JC66-02086D	LINK-COVER_MP; CLP-680ND,ABS,NAOTO GRAY(G	SA	2
2-3	3		JC64-00912A	LOCKER-LATCH_PUSH; SL-M4020ND,POM,BLACK,S	SA	1
2-4	3		JC64-01020A	BUTTON-FRONT; C3510,ABS,SPLIT BROWN BLACK	SNA	1
2-5	3		JC66-03640A	LINK-SUPPORT R; CLP-680ND,HIPS,SPLIT GRAY	SNA	1
2-6	3		JC66-03639A	LINK-SUPPORT L; CLP-680ND,HIPS,SPLIT GRAY	SNA	1
2-7	3		JC95-01651D	COVER-MP TRAY; C3562,SEC	SA	1
2-7-1	4		JC63-03730D	COVER-MP; C3562,HIPS,CREAM WHITE,S-834	SNA	1
2-7-2	4	C3718	JC66-00387A	GEAR-RACK_PINION; ML-1710,POM,0.7,WHT	SNA	1
2-7-3	4		JC63-02902F	TRAY-MP LOWER; ML-4210ND,HIPS,2.5,243.7,1	SNA	1
2-7-4	4		JC70-00561B	ADJUST-MP_LEFT; ML-3710,ABS,119.2,57.4,IC	SA	1
2-7-5	4		JC70-00562B	ADJUST-MP_RIGHT; ML-3710,ABS,120.2,57.4,I	SA	1
3	2		JC95-02061A	COVER-REAR; C4010,SEC	SA	1
4	2		JC95-02062A	COVER-LEFT; C3510,SEC	SNA	1
4-1	3		JC63-03734B	COVER-WTB; C30,HIPS,Cream White	SA	1
4-2	3		JC63-05454A	COVER-LEFT; C3510,HIPS,CREAM WHITE,S-834	SA	1
5	2		JC95-02063A	COVER-RIGHT; C3510,SEC	SNA	1
5-1	3		JC63-05465A	COVER-DIMM; C3510,HIPS,CREAM WHITE,S-834	SA	1
5-2	3		JC63-05464A	COVER-RIGHT; C3510,HIPS,CREAM WHITE,S-834	SA	1

2.1. COVER-REAR

Exploded View



Parts List

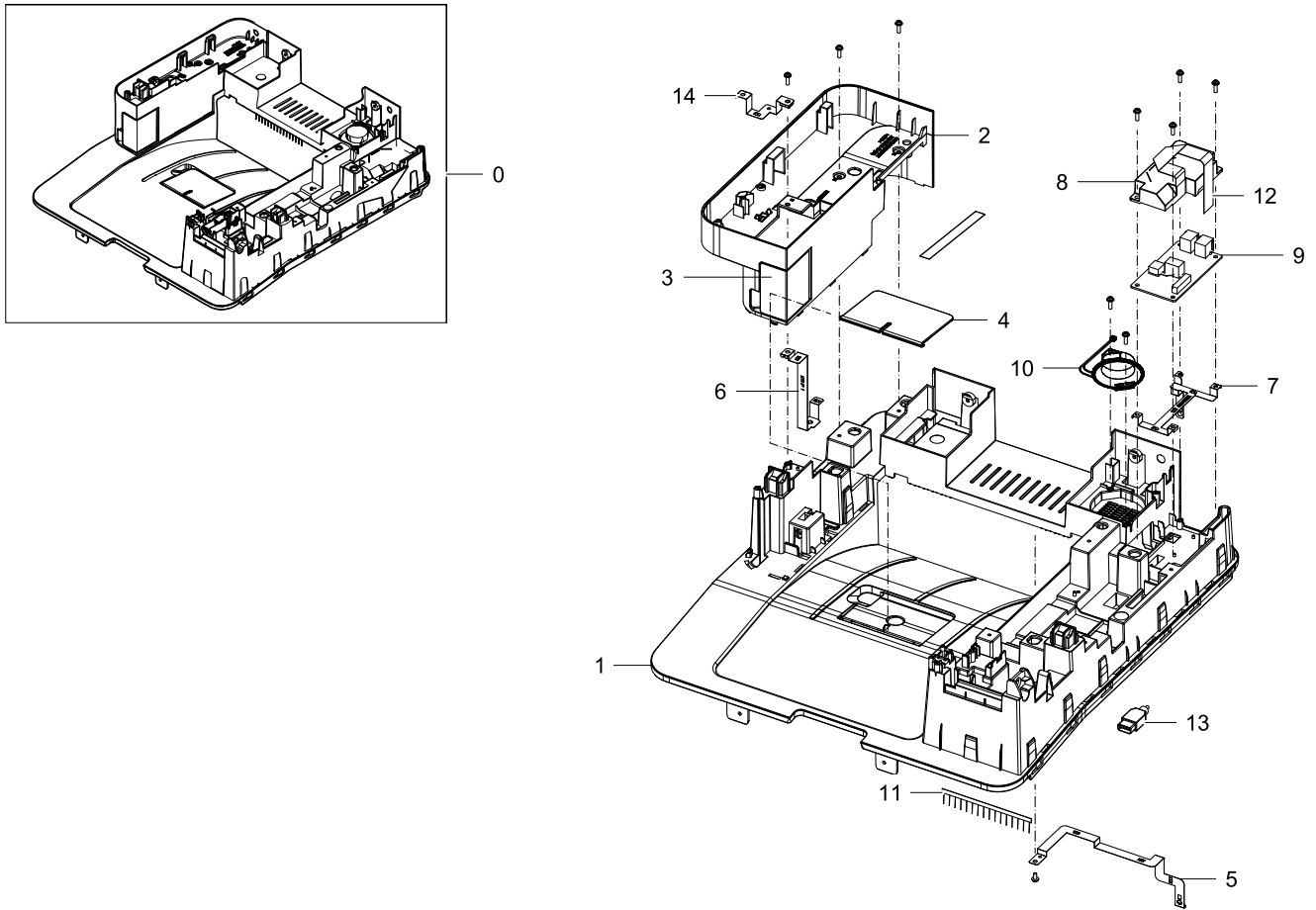
No.	Lvl.	Loc.	Material Code	Description & Specification	SNA	Qty.
0	2		JC95-02061A	COVER-REAR; C4010,SEC	SA	1
1	3		JC63-03793B	COVER-REAR; C30,HIPS,Cream White	SA	1
2	3		JC61-08001A	GUIDE-GATE DUPLEX; C3510,ABS+GF20%,C2110,	SA	1
3	3		JC61-07939A	GUIDE-SIDE REAR; C3510,ABS,780U,SPLIT BRO	SA	1
4	3		JC90-01203A	DUPLEX GUIDE-LOWER; CLP-680ND	SNA	1
5	3		JC90-01204A	DUPLEX GUIDE-UPPER; CLP-680ND	SA	1
6	3		JC95-02044A	COVER-REAR TRANSFER; C3010,SEC,WORLD	SA	1
6-1	4		JC66-03756A	ROLLER TR-TRANSFER2; Rousseau,-,KOREA,SCF	SA	1
6-2	4		JC64-00802A	LOCKER-T2 L; CLP-680ND,POM,BLACK,42.9x15.	SNA	1

Exploded Views and Parts List

No.	Lvl.	Loc.	Material Code	Description & Specification	SNA	Qty.
6-3	4		JC61-05463A	HOLDER-T2; CLP-680ND,POM,10.4,32,BLACK,12	SNA	2
6-4	4		JC61-05471A	PLATE-BIAS-TRANSFER; CLP-680ND,STS304,0.2	SNA	1
6-5	4	H1254	JC61-00983A	BUSH-TR; CLP-510,Fe+Cu+Zn-Slearate,6,	SNA	2
6-6	4		JC61-05837A	HOLDER-NIP-T2 L; CLP-680ND,POM,4,R10,BLAC	SNA	1
6-7	4		JC64-00803A	LOCKER-TRANSFER R; CLP-680ND,POM,WHITE,42	SNA	1
7	3		JC61-05421A	GUIDE-TRANSFER; CLP-680ND,HIPS,HIPS-5197,	SNA	1

3. COVER-MIDDLE

Exploded View



Parts List

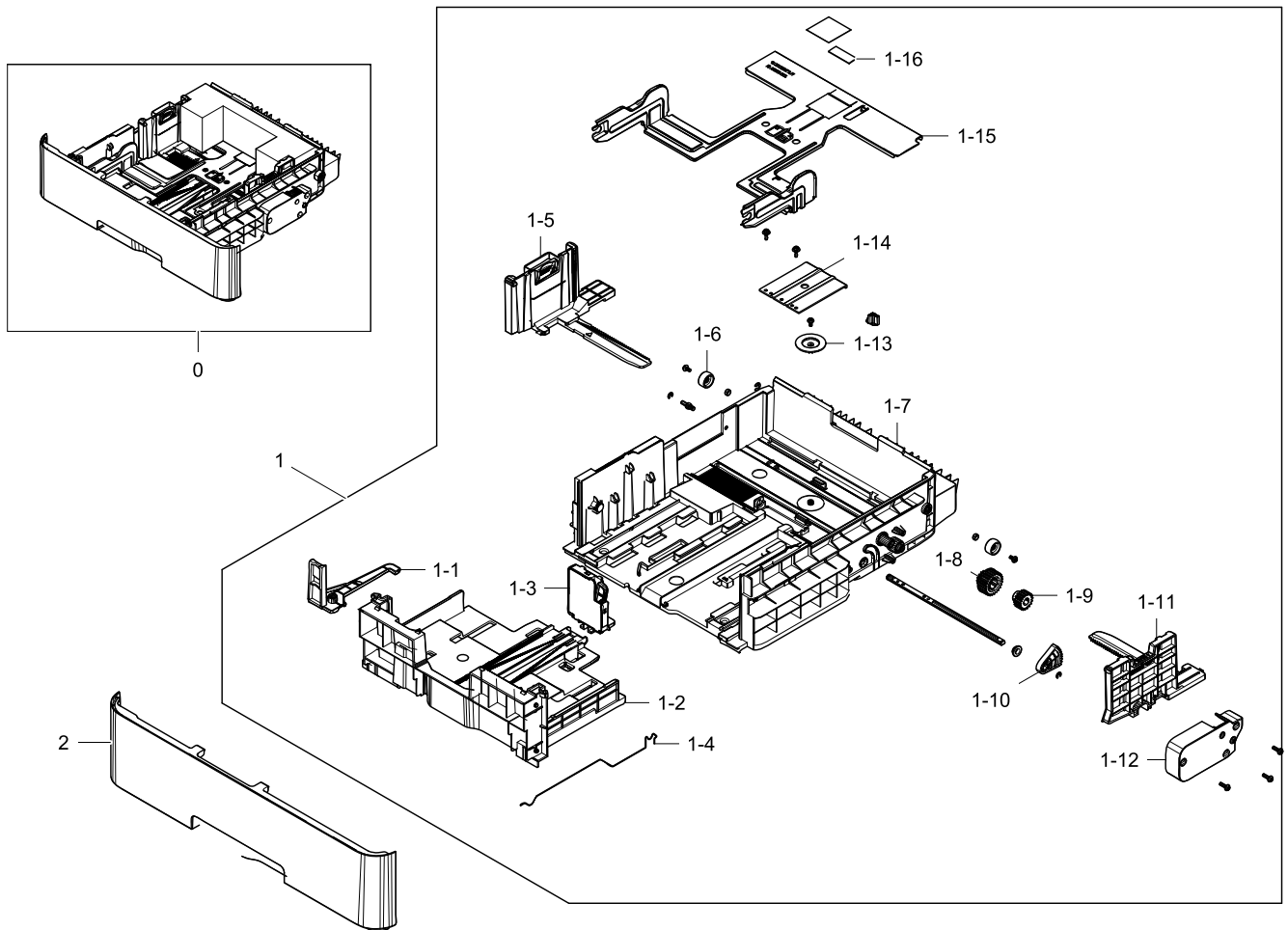
No.	Lvl.	Loc.	Material Code	Description & Specification	SNA	Qty.
0	1		JC95-02057A	COVER-MIDDLE; C4062,SEC	SA	1
1	2		JC63-05466A	COVER-MIDDLE; C3560,ABS,SPLIT BROWN BLACK	SNA	1
2	2		JC63-05469A	COVER-MIDDLE LEFT; C3562,ABS,SPLIT BROWN	SA	1
3	2		JC63-05110A	COVER-DUMMY USB; SL-C2680FX,ABS,SEC,SPLIT	SA	1
4	2		JC63-05086A	TRAY-ASF OUT; M4530,ABS,91.2,SPLIT BROWN	SA	1
5	2		JC63-05459A	GROUND-EXIT; C3510,STS304,0.2,GROUND	SNA	1
6	2		JC63-05461A	GROUND-MIDDLE; C3560,STS304,0.2,GROUND	SNA	1
7	2		JC63-05460A	GROUND-FAX; C3560,STS304,0.2,GROUND	SNA	1
8	2	B1558	JC63-01518A	COVER-LIU; CLX-6200FX,ABS+PC,V0	SNA	1
9	2		JC92-02552C	PBA SUB-FAX; C3060,FR4, 2L,90*50mm	SA	1

Exploded Views and Parts List

No.	Lvl.	Loc.	Material Code	Description & Specification	SNA	Qty.
10	2	L6859	3001-002262	SPEAKER; 0.3W,8ohm,81dB,400Hz,50x16.4mm	SC	1
11	2		JC67-00693A	BRUSH-ANTISTATIC; CLX-6260ND,A1,100,16.5,	SNA	1
12	2		JC39-02459A	FLAT CABLE-FAX_FFC; C3060,16,0.05,350,AWM	SA	1
13	2		JC39-02513A	WIRE HARNESS-USB HOST NFC; C40,UL2725,5P,	SNA	1
14	2		JC63-05463A	GROUND-MIDDLE L; C3562,STS304,0.2,GROUND	SNA	1

4. CASSETTE

Exploded View



Parts List

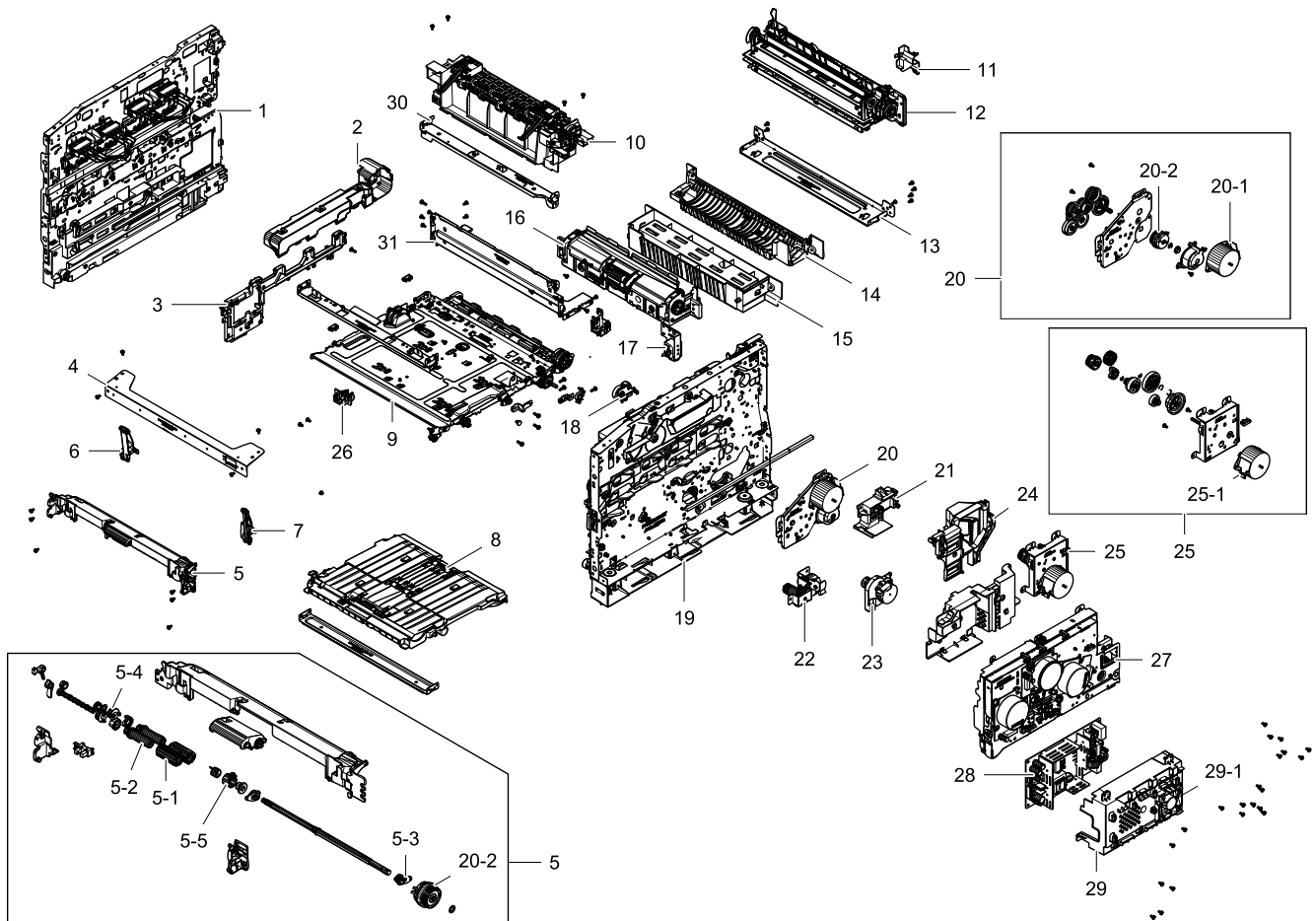
No.	Lvl.	Loc.	Material Code	Description & Specification	SNA	Qty.
0	1		JC90-01599A	CASSETTE; C3510,CH,219,55,Lifting gear,MD	SA	1
1	2		JC90-01600A	CASSETTE FRAME; C3510,Type D	SNA	1
1-1	3		JC66-05065A	LEVER-GUIDE EXTENSION; C3510,POM,F25-03HT	SA	1
1-2	3		JC61-07999A	GUIDE-EXTENSION; C3510,ABS,780U,CREAM WHI	SNA	1
1-3	3		JC90-01601A	CASSETTE SUB-GUIDE REAR; C3510	SA	1
1-4	3		JC61-08018A	SPRING ETC; C3510,STS304,0.6	SNA	1
1-5	3		JC90-01603A	CASSETTE SUB-GUIDE; C3510	SA	1
1-6	3		JC61-03882A	ROLLER IDLE-PRESSURE_CASSETTE; ML-6510ND,	SNA	2
1-7	3		JC61-07992A	FRAME-CASSETTE; C3510,ABS,CREAM WHITE,780	SNA	1
1-8	3		JC66-05076A	GEAR-RDCN CST LIFT; C3560,POM,1.0 / 1.0,2	SA	1

Exploded Views and Parts List

No.	Lvl.	Loc.	Material Code	Description & Specification	SNA	Qty.
1-9	3		JC66-05081A	GEAR-IDLE CST LIFT; C3560,POM,1.0,18,NATU	SA	1
1-10	3		JC66-05064A	GEAR-CASSETTE LIFT; C3510,POM,1.0,50,NATU	SA	1
1-11	3		JC90-01602A	CASSETTE SUB-GUIDE RE; C3510	SA	1
1-12	3		JC63-05499A	COVER-GEAR; C3510,ABS,CREAM WHITE,780U	SNA	1
1-13	3	I5678	JC66-01020A	GEAR-M_PINION 24; SCX-6345N/XRX,POM,1,24,	SA	1
1-14	3		JC61-03206A	PLATE-LEVER; CLX-9350,EGI-SECC,1.6T,73.6,	SA	1
1-15	3		JC61-07990A	PLATE-KNOCK UP; C3510,EGI-SECC,1,230.3,26	SNA	1
1-16	3		JC67-00870A	FRICITION PAD-CASSETTE; C3510,URETHANE SPO	SNA	1
2	2		JC64-01024A	HANDLE-CASSETTE; C3510,HIPS,2.5,32.8,420,	SNA	1

5. FRAME

Exploded View



Parts List

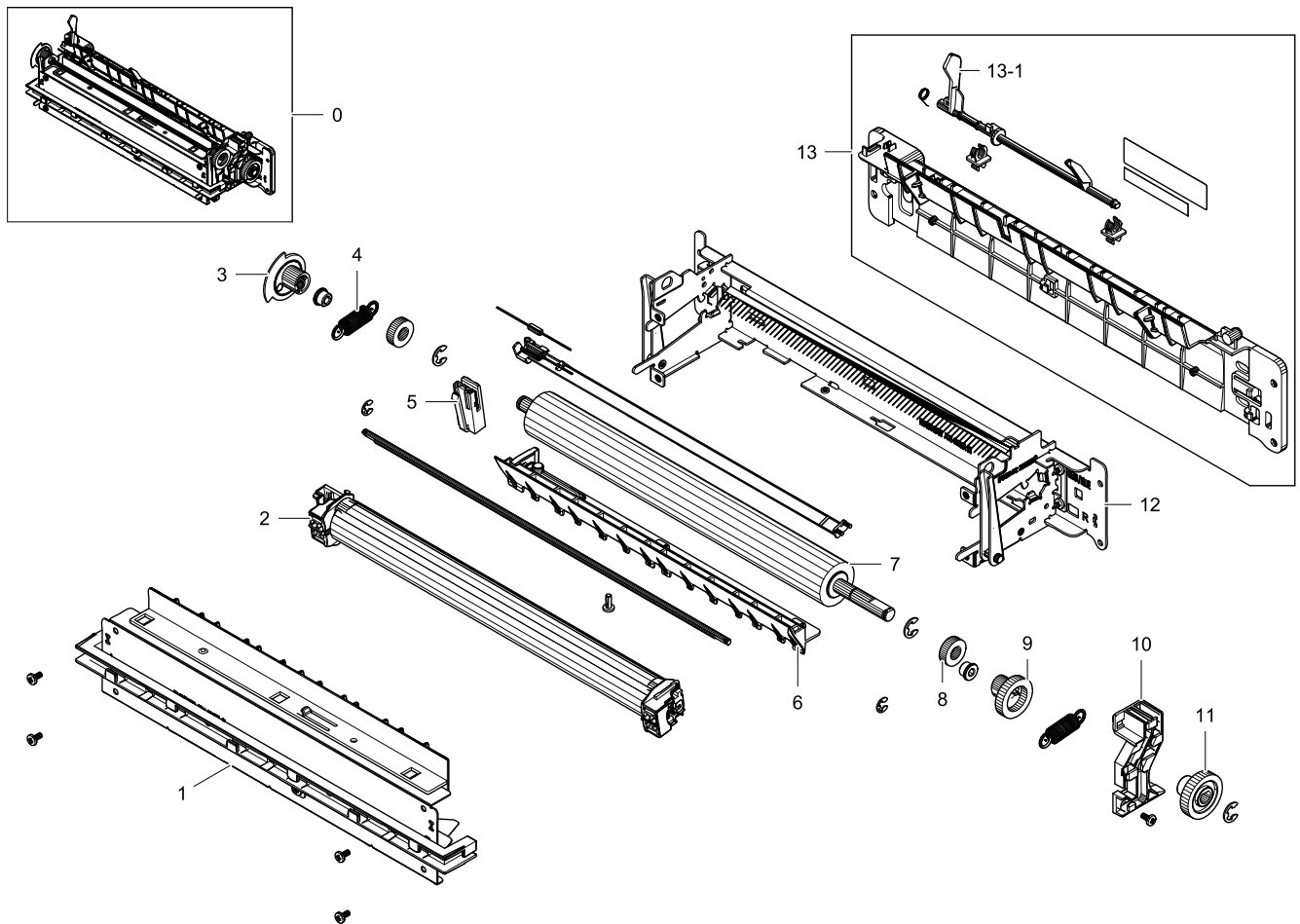
No.	Lvl.	Loc.	Material Code	Description & Specification	SNA	Qty.
1	3		JC93-01334A	FRAME SUB-LEFT; C3510,SEC	SNA	1
2	3		JC93-01329A	FRAME SUB-DUCT; C3510,SEC	SNA	1
3	3		JC67-00836A	DUCT-SUB; C30,HIPS,HIPS-5197,BLACK	SNA	1
4	3		JC61-05407A	BRACKET-FRONT_TOP; CLP-680DW,EGI-SECC,1.0	SNA	1
5	3		JC90-01698A	MP SUB-GUIDE UPPER; C4010,CH,15,300	SA	1
5-1	4	F9180	JC73-00295A	ROLLER IDLE-RUBBER-PICK_UP; ML-2851ND	SA	2
5-2	4	G0798	JC61-02808A	SLEEVE-MP; ML-2855ND,6,41.4,10	SNA	2
5-3	4	I7270	JC61-02260A	HOLDER-SHAFT; CLX-6200FX,POM	SNA	2
5-4	4	C3537	JC66-02085A	GEAR-JOINT2_MP; ML-2855ND,POM,0.5,23,12.5	SNA	1
5-5	4		JC61-03898A	COLLAR-MP; ML-6510ND,POM,10.8,13.5,NTR	SNA	1
6	3		JC66-03637A	LINK-L; CLP-680ND,POM,BLACK	SA	1
7	3		JC66-03638A	LINK-R; CLP-680ND,POM,BLACK	SA	1

Exploded Views and Parts List

No.	Lvl.	Loc.	Material Code	Description & Specification	SNA	Qty.
8	3		JC90-01605A	MP SUB-SEPARATION; C3510	SA	1
9	3		JC93-01328A	FRAME SUB-BRKT MP; C3510,SEC	SNA	1
10	3		JC90-01606A	EXIT; C3510,NON-MD	SA	1
11	2		JC67-00647A	CAP-FUSER AC HARNESS; CLP-470NW,ABS+PC,23	SA	1
12	2		JC91-01227A	FUSER; C3510,SEC,115V,IFS3,24,27,MD	SA	1
13	3		JC61-05404A	BRACKET-BOTTOM_REAR; CLP-680DW,EGI-SECC,1	SNA	1
14	3		JC90-01607A	DUPLEX SUB-ACTUATOR; C3510	SNA	1
15	2		JC63-05447A	COVER-PATH; C4010,HIPS,2.5,CREAM WHITE (C	SA	1
16	3		JC93-01336A	FRAME SUB-SEPARATION; C3510	SA	1
17	3		JC93-01352A	FRAME SUB-INLET; SL-C3510ND,SEC	SNA	1
18	3		JC93-01346A	DRIVE-DUPLEX; C3560,SEC,MD	SA	1
19	3		JC93-01327A	FRAME SUB-RIGHT; C3510,SEC	SNA	1
20	3		JC93-01344A	DRIVE-FEED; C3560,SEC,MD	SA	1
20-1	4		JC93-01347A	DRIVE-MOTOR STEP; C3560,SEC,NON-MD	SA	1
20-2	4		JC47-00035C	CLUTCH-ELECTRIC; SL-M4030,POM,2.5,41,0.6,	SA	4
21	3		JC61-05575A	BRACKET-TR MOTOR DC; CLP-680ND,HIPS,BLACK	SNA	1
22	4		JC93-01345A	DRIVE-CST LIFT; C3560,SEC,MD	SA	1
23	3		JC93-01343A	DRIVE-T1 ENGAGE; C3560,SEC,MD	SA	1
24	3		JC67-00765B	DUCT-FAN LOWER; C3510,HIPS,1.5,154,120,HB	SNA	1
25	3		JC93-00767B	DRIVE-FUSER; C3560,DRIVE-FUSER,MD	SA	1
25-1	4		JC93-00301C	DRIVE-MOTOR STEP; C4060,SEC,NON-MD	SA	1
26	2		JC61-05639A	HOLDER-USB HOST; CLP-680ND,HIPS,2,33,11.8	SNA	1
27	3		JC93-01342A	DRIVE-MAIN; C3560,SEC,MD	SA	1
28	2		JC44-00247A	SMPS-V1; C35,PSPN2 Type4H V1,AC-DC,225W,1	SA	1
29	3		JC93-01330A	FRAME SUB-SMPS; C3510,SEC	SNA	1
29-1	4		JC31-00146A	FAN; Type4,24,100mA,2.794mmH20,0.374m^3/m	SA	1
30	3		JC61-05409A	BRACKET-LSU_REAR; CLP-680DW,EGI-SECC,1.0T	SNA	1
31	3		JC61-05406A	BRACKET-FUSER; CLP-680DW,EGI-SECC,0.8T,PR	SNA	1

5.1. FUSER

Exploded View



Parts List

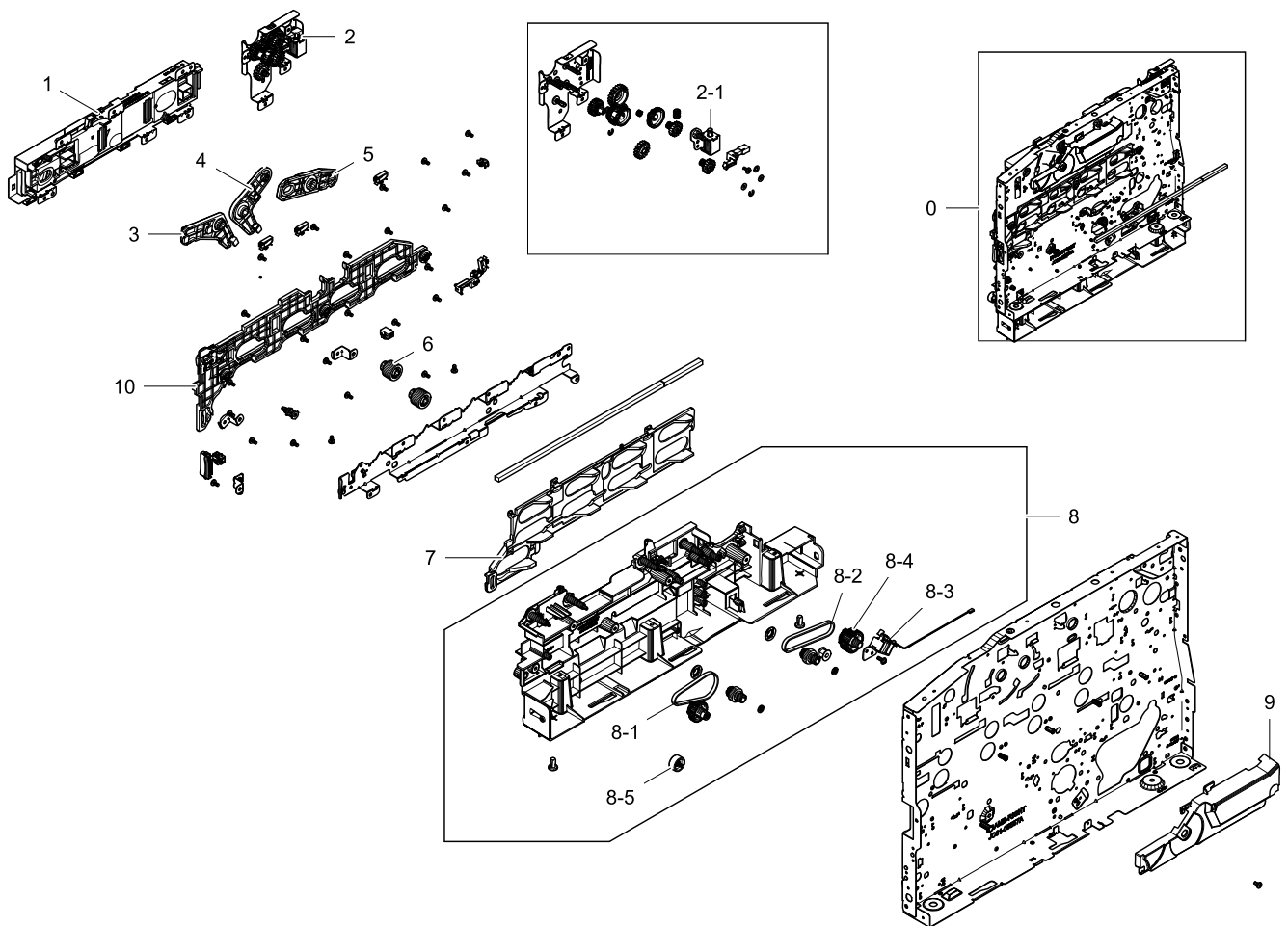
No.	Lvl.	Loc.	Material Code	Description & Specification	SNA	Qty.
0	2		JC91-01227A	FUSER; C3510,SEC,115V,IFS3,24,27,MD	SA	1
1	3		JC91-01231A	FUSER-FRAME TOP; MD	SNA	1
2	3		JC91-01234A	FUSER-BELT; C3510,110V,MD	SNA	1
3	3		JC66-03436A	ACTUATOR-CAM; CLP-680ND,PA,A50H1,BLACK,AC	SNA	1
4	3		JC61-08046A	SPRING ES; C3510,SWPB,1.3,6.9,9.5,35.3,13	SNA	2
5	3		JC39-02506A	WIRE HARNESS-FUSER AC; C40,UL3122,2p,*60,	SNA	1
6	3		JC91-01232A	FUSER-BIAS; C3510,MD	SNA	1
7	3		JC66-05096A	ROLLER FUSER-PRESSURE; C3510,19,SUM23,PFA	SA	1
8	3	G9044	6601-001341	BEARING BALL; 688ZZ,ID8,OD16,L5,SUJ2/SUS3	SA	2
9	3		JC66-03437A	GEAR-CAM; CLP-680ND,PA,1,22,BLACK,24,A50H	SNA	1

Exploded Views and Parts List

No.	Lvl.	Loc.	Material Code	Description & Specification	SNA	Qty.
10	3		JC61-08045A	GUIDE WIRE-GEAR; C3510,PET+GF,5V,LV2250GN	SNA	1
11	3		JC66-05183A	GEAR DRIVE-FUSER; C3510,PA66+GF25%,1.0,23	SA	1
12	3		JC91-01230A	FUSER-FRAME BOTTOM; MD	SNA	1
13	3		JC91-01233A	FUSER-GUIDE DUP; C3510,110V,MD	SNA	1
13-1	4		JC66-05097A	ACTUATOR-EXIT FUSER; C3510,PA66,2413GW,BL	SA	1

5.2. FRAME SUB-RIGHT

Exploded View



Parts List

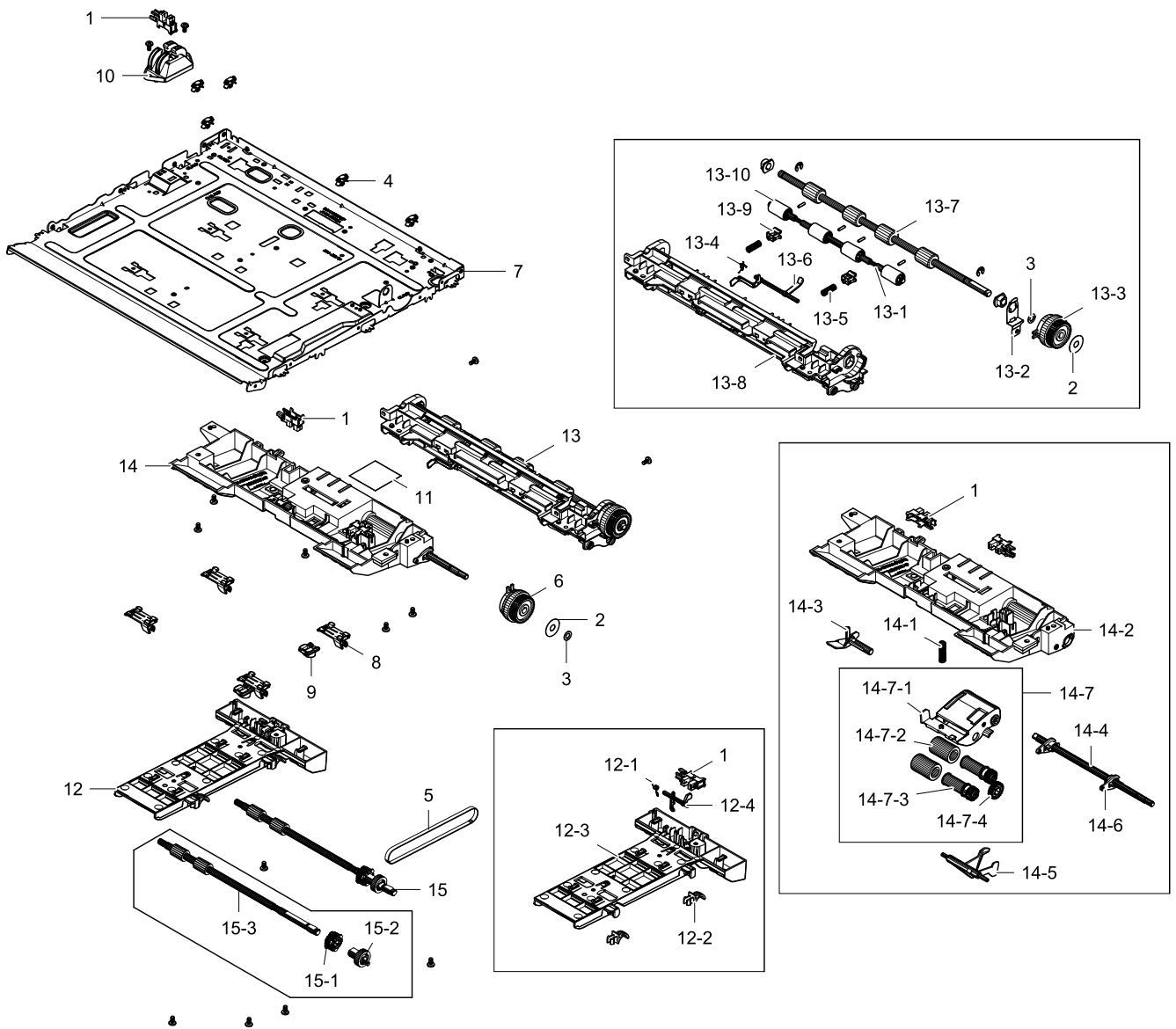
No.	Lvl.	Loc.	Material Code	Description & Specification	SNA	Qty.
0	3		JC93-01327A	FRAME SUB-RIGHT; C3510,SEC	SNA	1
1	4		JC93-00773C	DRIVE-DEVE NIP; C3510,SEC,MD	SA	1
2	4		JC93-01451A	DRIVE EXIT; C4010,SEC,MD	SA	1
2-1	5		JC33-00035C	SOLENOID; SL-C4010ND,24,100,27.54 X 27.75	SA	1
3	4		JC66-03604A	LEVER-DEVE PUSHER; CLP-680ND,POM,LINK/UNC	SNA	1
4	4		JC66-03605A	LEVER-LINK DEVE PUSHER; CLP-680ND,POM,LIN	SNA	1
5	4		JC66-03603A	LINK-DEVE PUSHER; CLP-680ND,POM	SNA	1
6	4		JC66-03715A	GEAR-IDLE MP; CLP-680ND,POM,0.6,28,18.00,	SA	2
7	4		JC66-03740A	LINK-MAIN COUPLER UPPER; CLP-680ND,ABS,31	SNA	1
8	4		JC93-01326A	FRAME SUB-GUIDE CST R; C3510,SEC	SA	1

Exploded Views and Parts List

No.	Lvl.	Loc.	Material Code	Description & Specification	SNA	Qty.
8-1	5		6602-001729	BELT-TIMING GEAR; 40S2M152,RUBBER,W4.0,L1	SNA	1
8-2	5	A4235	6602-001581	BELT-TIMING GEAR; RUBBER,T1.36,L168MM,BLK	SA	1
8-3	5		JC33-00028D	SOLENOID; CLP-680ND,DC 24V,70,21.3*14.8	SA	1
8-4	5		JC66-03716A	GEAR-PULLEY MP FEED; CLP-680ND,POM,0.6/S2	SNA	1
8-5	5		JC61-03882A	ROLLER IDLE-PRESSURE_CASSETTE; ML-6510ND,	SNA	2
9	4		JC67-00844A	DUCT-MAIN; C3510,HIPS,1.5,HIPS-5197,BLACK	SNA	1
10	4		JC61-05427A	GUIDE-TRAY RIGHT; CLP-680DW,ABS+GF,341.3,	SNA	1

5.3. FRAME SUB BRKT MP

Exploded View



Parts List

No.	Lvl.	Loc.	Material Code	Description & Specification	SNA	Qty.
1	4	E9322	0604-001393	PHOTO-INTERRUPTER; TR,75mW,BGA,TR	SA	6
2	4	L8193	6031-001002	WASHER-PLAIN; M17.5,ID6.1,OD17.5,T0.13,BL	SNA	1
3	4	L8199	6031-001255	WASHER-PLAIN; POLYSIDER,CUTTING,ID5,OD9,T	SA	4
4	4	L9191	6502-001131	CABLE CLAMP; 4,Nylon66	SA	5
5	4		6602-001721	BELT-TIMING GEAR; S2M250,RUB(CR),L250	SA	1
6	4		JC47-00035C	CLUTCH-ELECTRIC; SL-M4030,POM,2.5,41,0.6,	SA	4
7	4		JC61-05412A	BRACKET-MP; CLP-680DW,EGI-SECC,0.8T	SNA	1

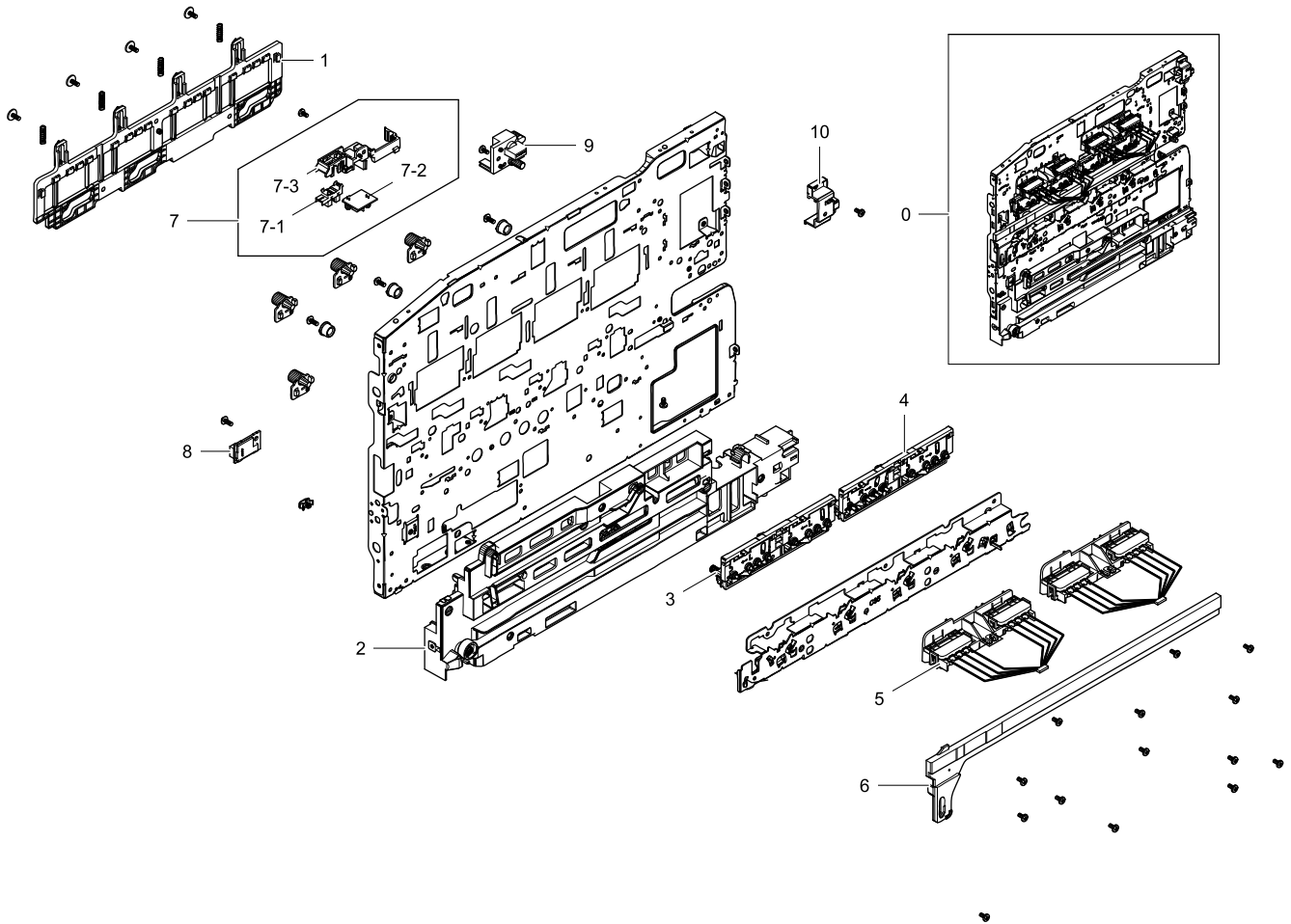
Exploded Views and Parts List

No.	Lvl.	Loc.	Material Code	Description & Specification	SNA	Qty.
8	4		JC61-05529A	HOLDER-SHAFT MP; CLP-680ND,POM,1.5,12.5,3	SNA	4
9	4		JC61-06377A	GUIDE-PAPER MP; C2620,POM,F20-02,NATURAL	SNA	3
10	4		JC63-03761A	COVER-ITB SENSOR; CLP-680ND,HIPS,BLACK,HI	SNA	1
11	4		JC63-03983A	SHEET-BRACKET_MP; CLP-680DN,PET,0.125	SNA	1
12	4		JC90-01604A	MP SUB-GUIDE; C3510	SA	1
12-1	5	L7284	JC61-00018A	SPRING ETC-SENSOR; SF-5100,SUS304WPB,0.2,	SA	1
12-2	5	L9445	JC61-03973A	HOLDER-SHAFT; ML-1660,POM,21.8,BLACK,F25-	SA	2
12-3	5		JC61-07996A	GUIDE-MP; C3510,ABS,780U,CREAM WHITE,PATH	SNA	1
12-4	5		JC66-03608A	ACTUATOR-FEED MP; CLP-680ND,PC,BLACK,ACTU	SA	1
13	4		JC93-00790A	FRAME-REGI; CLP-680ND	SA	1
13-1	5		JC66-03778A	SHAFT-REGI IDLE; CLP-680ND,SUM22,173.2,5,	SNA	1
13-2	5		JC63-03773A	GROUND-REGI; CLP-680ND,STS301,0.2,14,37.5	SNA	1
13-3	5		JC47-00035B	CLUTCH-ELECTRIC; 2.5,41,0.6,120mA,200Ohm	SA	1
13-4	5	G1591	6107-001164	SPRING-TS; SUS,PI0.15,D3.95,ID3.8,OD4.1	SA	1
13-5	5		6107-003246	SPRING-CS; SUS304,0.6,14.8,4,RIGHT	SNA	2
13-6	5		JC66-03611A	ACTUATOR-REGI SENSOR; CLP-680ND,PC+GF,3T,	SA	1
13-7	5		JC66-03633A	ROLLER IDLE-REGI; CLP-680ND,EPDM,SUM22,6	SA	1
13-8	5		JC61-05443A	FRAME-REGI; CLP-680ND,ABS+GF20%,BLACK,GR-	SNA	1
13-9	5		JC61-05448A	HOLDER; CLP-680ND,POM,NATURAL (WHITE),NW-	SNA	2
13-10	5		JC61-05611A	ROLLER IDLE-REGI; CLP-680ND,POM,F20-02	SNA	4
14	4		JC93-01340A	PICK UP; C3510,NON-MD	SA	1
14-1	5		6107-003349	SPRING-CS; SUS,0.4,5.2,5,5.4,11.25,RIGHT,	SA	3
14-2	5		JC61-07991A	FRAME-PICK UP; C3510,ABS,BLACK,780U,FEED	SNA	1
14-3	5		JC61-08004A	HOLDER-PICK UP; C3510,POM,NATURAL (WHITE)	SNA	1
14-4	5		JC66-03620A	SHAFT-PICK UP; CLP-680ND,PC+GF20%,6,BLACK	SNA	1
14-5	5		JC66-05053A	ACTUATOR-EMPTY; C3510,ABS+PC,2,47.94,59.2	SA	1
14-6	5	K8195	JC72-41191B	PMO; ML-2150,NTR,POM,NW-02	SA	2
14-7	5		JC93-01337A	PICK UP SUB-ROLLER; C3510,NON-MD	SA	1
14-7-1	6		JC61-07976A	HOUSING-PICK UP; C3510,POM,2,41.1,49.85,B	SNA	1

No.	Lvl.	Loc.	Material Code	Description & Specification	SNA	Qty.
14-7-2	6		JC66-02939B	ROLLER IDLE-MAT_RETARD; ML-2950ND,EPDM	SA	3
14-7-3	6		JC66-03047A	CLUTCH-P-ONEWAY; ML-2955ND,POM	SNA	2
14-7-4	6		JC66-05063A	GEAR-IDLE FEED; C3510,POM,0.5,30,NATURAL	SNA	1
15	4		JC93-01357A	FRAME SUB-ROLLER MP; C3510	SA	2
15-1	5		JC66-02902A	PULLEY-DUPLEX; ML-5015ND,POM	SA	2
15-2	5		JC66-03647A	GEAR-MP FEED; CLP-680ND,POM,0.6,24,Natura	SNA	2
15-3	5		JC66-05087A	ROLLER FEED; C3510,EPDM,CFRP,6	SNA	2

5.4. FRAME SUB-LEFT

Exploded View



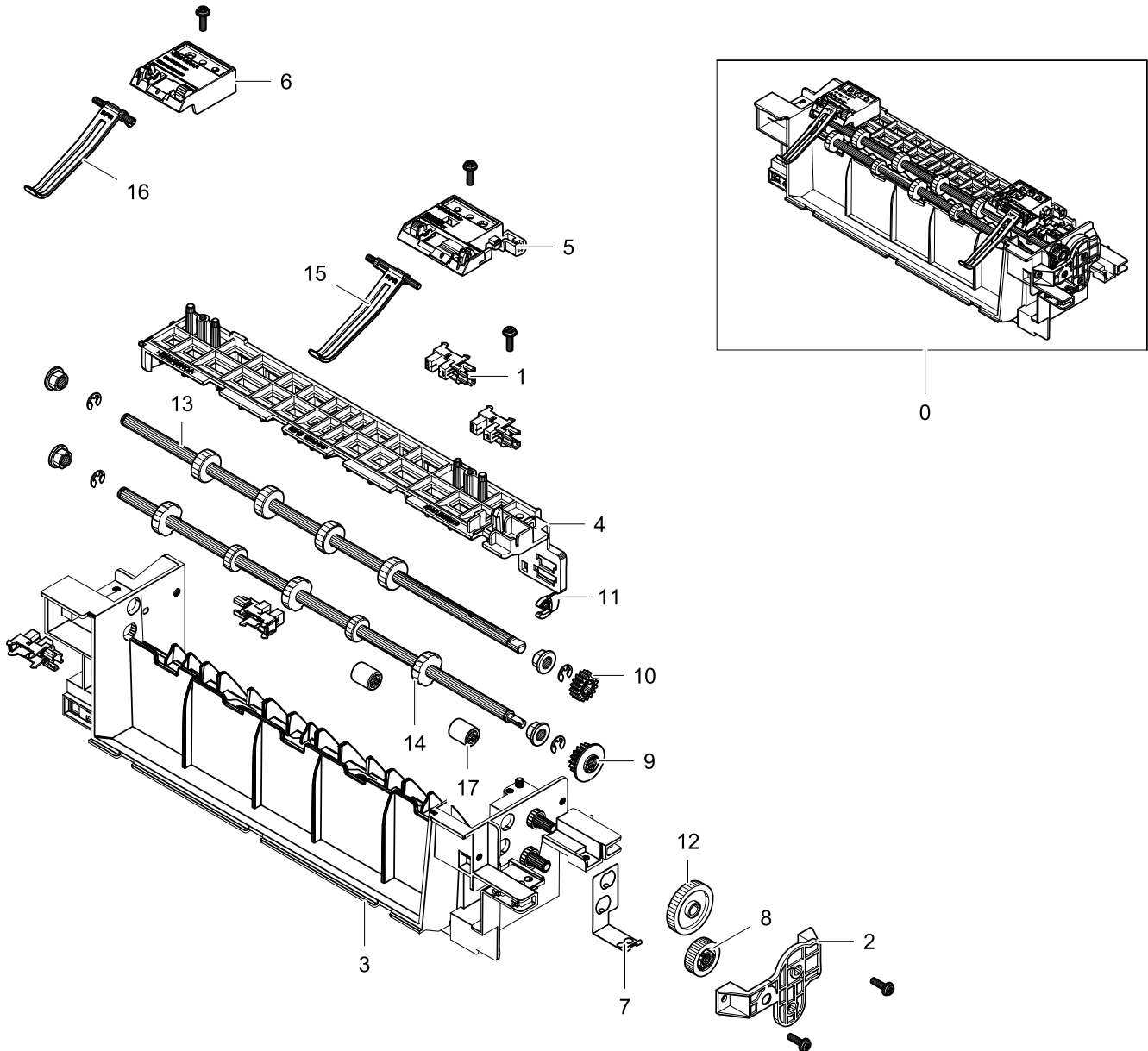
Parts List

No.	Lvl.	Loc.	Material Code	Description & Specification	SNA	Qty.
0	3		JC93-01334A	FRAME SUB-LEFT; C3510,SEC	SNA	1
1	4		JC66-05178A	LINK-CRUM HV; C4010,ABS,BLACK	SA	1
2	4		JC93-01335A	FRAME SUB-GUIDE CST L; C3510,SEC	SA	1
3	4		JC93-01349A	FRAME SUB-HOLDER HVPS; C3510,SEC	SA	1
4	4		JC93-01350A	FRAME SUB-HOLDER HVPS; C3510,SEC	SA	1
5	4		JC93-01463A	FRAME SUB-CRUM; C4010,SEC	SNA	2
6	4		JC61-05426A	GUIDE-TRAY LEFT; CLP-680DW,ABS+GF,344.2,G	SA	1
7	4		JC93-01297A	FRAME-HOLDER WTB SENSOR; SL-C3010ND,SEC	SNA	1
7-1	5	L9633	0604-001415	PHOTO-INTERRUPTER; TR,DIP-4,BK	SA	1
7-2	5		JC92-02936A	PBA SUB-WTB SEN; C3010,C3060,FR1,1L,19.6*	SA	1
7-3	5		JC61-05483A	HOLDER-WTB SENSOR; CLP-680ND,HIPS,ICE GRE	SA	1

No.	Lvl.	Loc.	Material Code	Description & Specification	SNA	Qty.
8	4		JC32-00015A	SENSOR; HSU-07F1V2-N,CLX-9201,0~45'C,+3.3	SA	1
9	4		JC61-05563A	HOLDER-T2 HV; CLP-680ND,ABS+PC,BLACK,NH-1	SNA	1
10	4		JC61-05559A	HOLDER-ACTUATOR REAR; CLP-680ND,ABS,BLACK	SA	1

5.5. EXIT

Exploded View



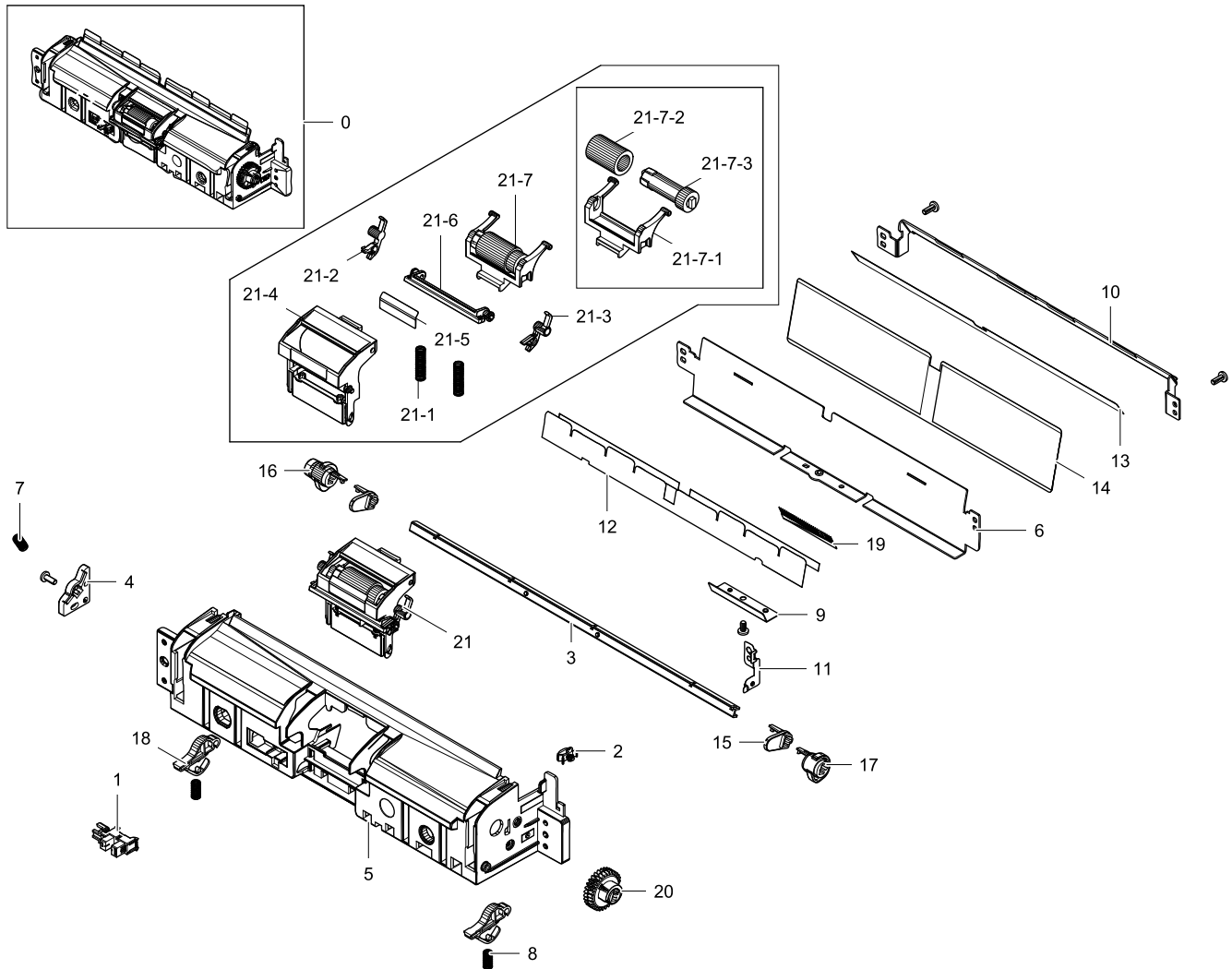
Parts List

No.	Lvl.	Loc.	Material Code	Description & Specification	SNA	Qty.
0	3		JC90-01606A	EXIT; C3510,NON-MD	SA	1
1	4	E9322	0604-001393	PHOTO-INTERRUPTER; TR,75mW,BGA,TR	SA	4
2	4		JC61-07978A	BRACKET-EXIT; C3560,ABS+PC,BLACK,MOLD	SNA	1
3	4		JC61-07993A	GUIDE-EXIT LOWER; C3510,ABS+PC,AC2013,SPL	SA	1
4	4		JC61-07994A	GUIDE-EXIT UPPER; C3510,ABS+PC,AC2013,SPL	SA	1

No.	Lvl.	Loc.	Material Code	Description & Specification	SNA	Qty.
5	4		JC63-05500A	COVER-STACKER; C3510,ABS+PC,SPLIT BROWN B	SA	1
6	4		JC63-05501A	COVER-STACKER DUMMY; C3510,ABS+PC,SPLIT B	SA	1
7	4		JC63-05502A	GROUND-EXIT ROLLER; C3510,STS304,0.2,17.3	SNA	1
8	4	C3466	JC66-02044A	GEAR-IDLE FEED B; CLP-770ND,POM(DE8903),0	SNA	1
9	4		JC66-04917A	GEAR-DRIVE EXIT LOWER; M40,POM,0.8,17,NAT	SA	1
10	4		JC66-04918A	GEAR-DRIVE EXIT UPPER; M40,POM,0.8,16,NAT	SA	1
11	4		JC66-05054A	ACTUATOR-EXIT FUSER; C3510,POM,1.3,9.9,10	SA	1
12	4		JC66-05074A	GEAR-IDLE EXIT; C3560,POM,0.8,32,NATURAL	SA	1
13	4		JC66-05085A	ROLLER EXIT-DRIVE; C3510,Shaft-Exit(Steel	SA	1
14	4		JC66-05086A	ROLLER EXIT-DECURL; C3510,Shaft-Exit(Stee	SA	1
15	4		JC66-05104A	LEVER-STACKING; C3510,ABS+PC,230NH,BLACK,	SA	1
16	4		JC66-05105A	LEVER-STACKER; C3510,ABS+PC,230NH,BLACK,G	SA	1
17	4	L2183	JC72-40981A	ROLLER; ML-165,POM	SA	2

5.6. FRAME-SEPARATION

Exploded View



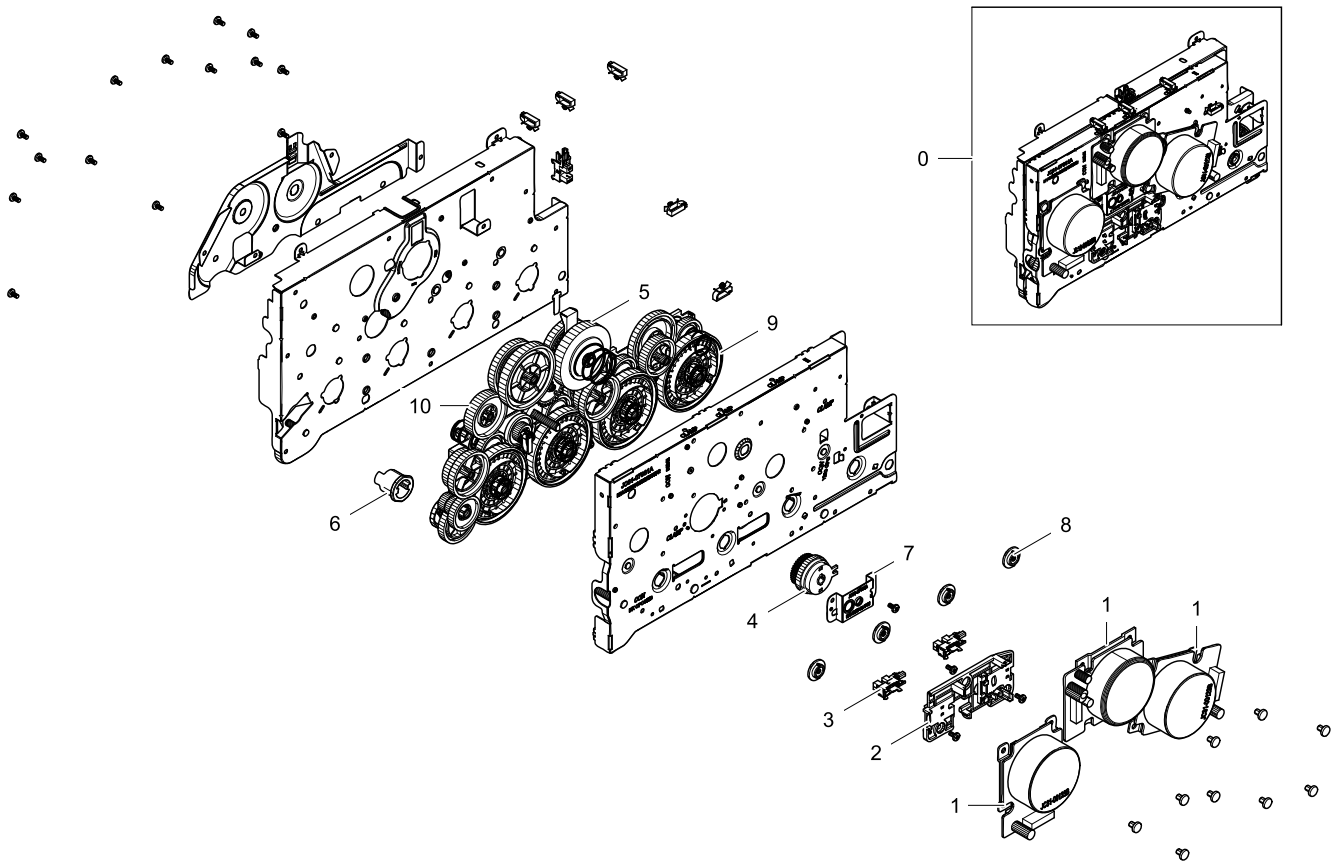
Parts List

No.	Lvl.	Loc.	Material Code	Description & Specification	SNA	Qty.
0	3		JC93-01336A	FRAME SUB-SEPARATION; C3510	SA	1
1	4	E9322	0604-001393	PHOTO-INTERRUPTER; TR,75mW,BGA,TR	SA	6
2	4	L9191	6502-001131	CABLE CLAMP; 4,Nylon66	SA	10
3	4		JC61-05390A	BRACKET-SHAFT; CLP-680ND,SECC,1,272.5,PRE	SNA	1
4	4		JC61-05392A	HOLDER-CAM; CLP-680ND,POM,21.8	SNA	1
5	4		JC61-05441A	FRAME-RETARD; CLP-680ND,ABS,Black,2T,293.	SNA	1
6	4		JC61-05540A	PLATE-GUIDE PAPER; CLP-680ND,EGI-SECC,1.0	SNA	1
7	4		JC61-07860A	SPRING CS; C30,SWPB,0.7,4.1	SA	1
8	4		JC61-08080A	SPRING CS; C3510,SWPB,0.6,4.3,5.5,8,8.5	SA	2

No.	Lvl.	Loc.	Material Code	Description & Specification	SNA	Qty.
9	4		JC61-08165A	BRACKET-BRUSH; C4060,STS304,0.5,17,46,PRE	SNA	1
10	4		JC61-08166A	BRACKET GUIDE-PATH; C4060,EGI-SECC,1.0T,2	SNA	1
11	4		JC63-03704A	GROUND-PICK UP; CLP-680ND,STS,0.2T,GROUND	SNA	1
12	4		JC63-03868A	SHEET-GUIDE; CLP-680ND,PET,0.125,219	SA	1
13	4		JC63-05685A	SHEET-REGI; SL-C4010ND,PET,0.075,12,223.5	SA	1
14	4		JC63-05694A	SHEET GUIDE-REGI IDLE; C4060,PET,0.188	SNA	1
15	4		JC66-03592A	CAM-KICKER; CLP-680ND,POM,2,4.05	SNA	2
16	4		JC66-04987A	CAM-LEVER LEFT; C30,POM,NATURAL(WHITE),NW	SNA	1
17	4		JC66-04988A	CAM-LEVER RIGHT; C30,POM,NATURAL(WHITE),N	SNA	1
18	4		JC66-05106A	LEVER-SEPARATION; C3510,POM,F20-02,NATURA	SA	2
19	4		JC67-00496A	BRUSH-ANTISTATIC; ML-1660,SUS FIBER,11.5	SA	1
20	4		JC93-00760A	DRIVE-GEAR KNOCK UP; CLP-680ND	SNA	1
21	4		JC93-01469A	FRAME SUB-SEPARATION; SL-C4080ND/SEE	SNA	1
21-1	5		6107-003349	SPRING-CS; SUS,0.4,5,2,5,5.4,11.25,RIGHT,	SA	3
21-2	5		JC61-05388A	GUIDE-KICKER L; CLP-680ND,PC+ABS,NH-1000T	SNA	1
21-3	5		JC61-08254A	GUIDE-KICKER R; C4060,ABS+PC,NH-1000T,G61	SNA	1
21-4	5		JC61-05442A	FRAME-RETARD COVER; CLP-680ND,ABS,HF-0660	SNA	1
21-5	5		JC63-02933A	SHEET-RETARD; ML-3710,PET,0.125,30,11.6,B	SA	1
21-6	5		JC66-03588A	LEVER-KICKER LINK; CLP-680ND,ABS,51.6,LIN	SNA	1
21-7	5		JC93-00682A	FRAME-ROLLER RETARD; CLP-680ND	SNA	1
21-7-1	6		JC61-05385A	HOLDER-RETARD ROLLER; CLP-680ND,ABS,38,HB	SNA	1
21-7-2	6		JC66-02939B	ROLLER IDLE-MAT_RETARD; ML-2950ND,EPDM	SA	1
21-7-3	6		JC67-00465A	COUPLER-TORQUE_LIMITER; ML-6510ND,NTR,290	SNA	1

5.7. DRIVE-MAIN

Exploded View



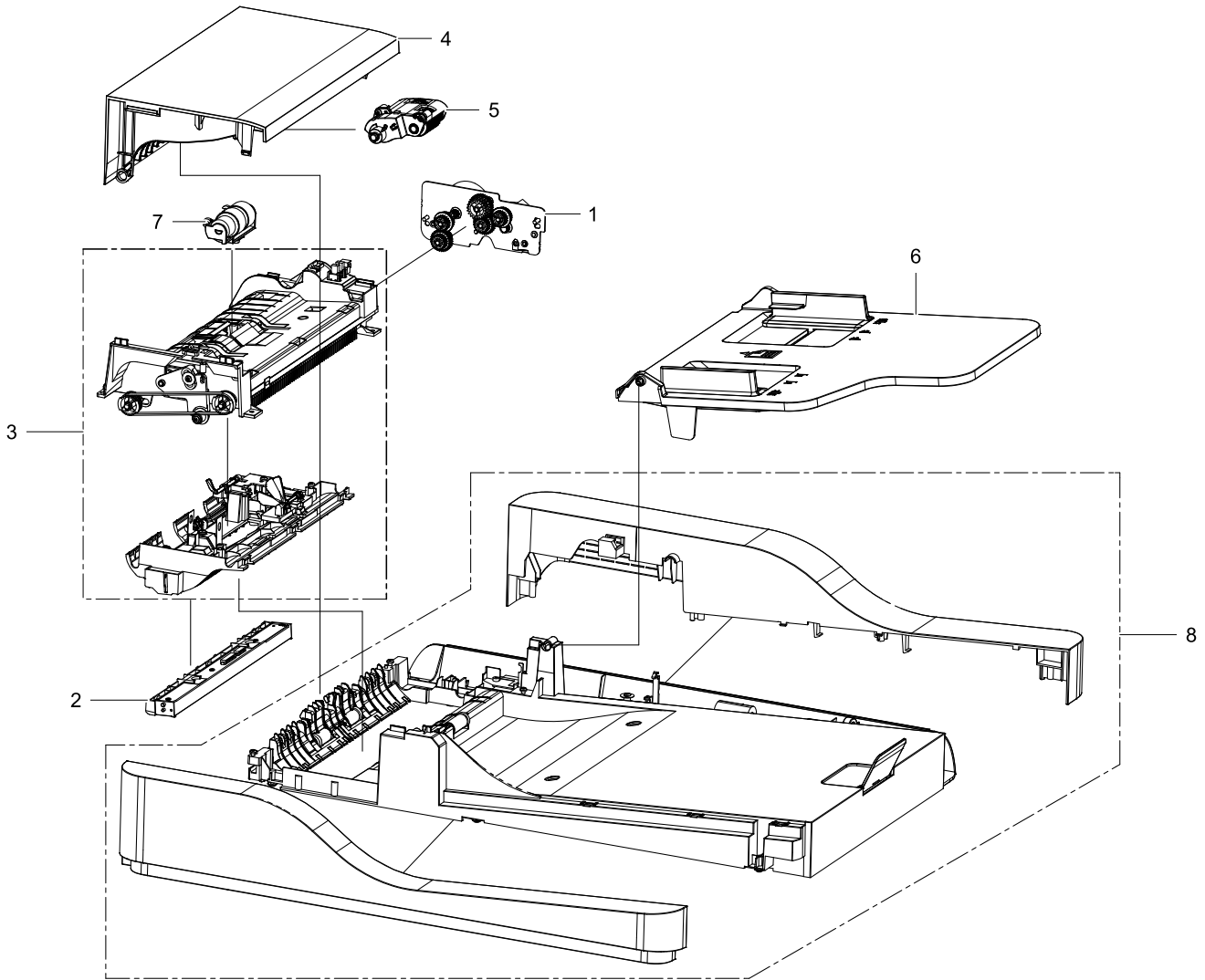
Parts List

No.	Lvl.	Loc.	Material Code	Description & Specification	SNA	Qty.
0	3		JC93-01342A	DRIVE-MAIN; C3560,SEC,MD	SA	1
1	4		JC31-00144G	MOTOR BLDC; 48M843M070,1100~3000,24,2.2,3	SA	3
2	4		JC61-05573A	HOLDER-SENSOR OPC; CLP-680ND,ABS,93.5,44,	SNA	1
3	4	E9322	0604-001393	PHOTO-INTERRUPTER; TR,75mW,BGA,TR	SA	3
4	4		JC47-00035C	CLUTCH-ELECTRIC; SL-M4030,POM,2.5,41,0.6,	SA	4
5	4		JC93-00772B	DRIVE-SUB DEVE CLUTCH; C3560,SEC,NON-MD	SNA	1
6	4		JC66-05016A	COUPLER-DRIVE ITB; SMF 4040	SA	1
7	4		JC61-07984A	BRACKET-CLUTCH; C3560,EGI-SECC,0.6,PRESS	SNA	1
8	4		JC61-08015A	HOLDER-DRIVE OPC; C3560,POM,D17.0,BLACK,F	SNA	4

No.	Lvl.	Loc.	Material Code	Description & Specification	SNA	Qty.
9	4		JC66-03695A	GEAR-DRIVE OPC; CLP-680ND,POM,0.5,120,BLA	SNA	4
10	4		JC66-03701A	GEAR-DEVE IDLE 1ST; CLP-680ND,POM,0.5,69,	SNA	1

6. ADF

Exploded View

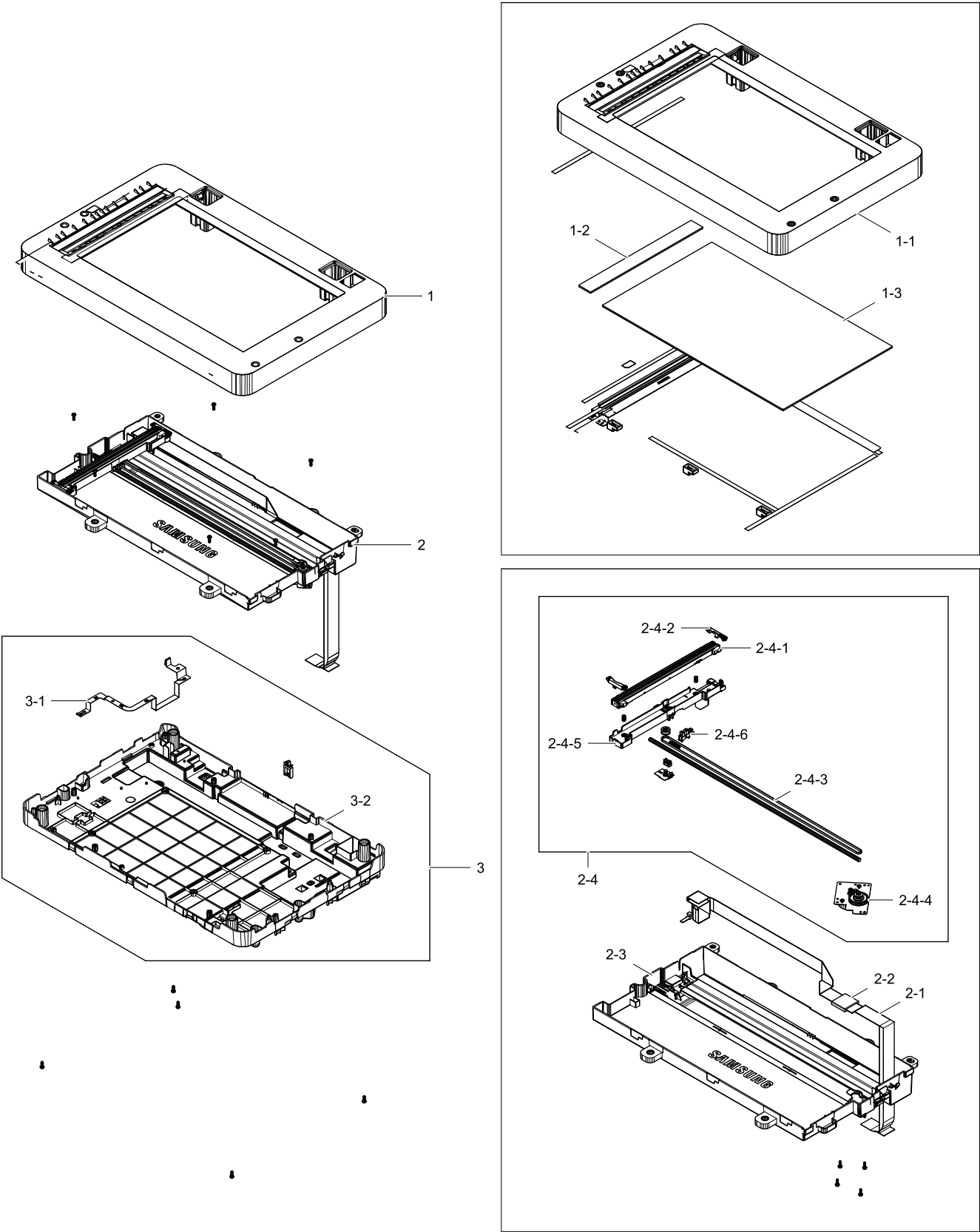


Parts List

No.	Lvl.	Loc.	Material Code	Description & Specification	SNA	Qty.
1	3		JC82-00374A	A/S ASSY-FEED MOTOR; M4580,SEC	SA	1
2	3		JC82-00375A	A/S ASSY-WHITE BAR CIS; M4580,SEC	SA	1
3	3		JC82-00376A	A/S ASSY-PAPER PATH; M4580,SEC	SA	1
4	3		JC82-00377A	A/S ASSY-TOP COVER; M4580,SEC	SA	1
5	3		JC82-00378A	A/S ASSY-PICK UP HOUSING; M4580,SEC	SA	1
6	3		JC82-00379A	A/S ASSY-INPUT TRAY; M4580,SEC	SA	1
7	3		JC82-00380A	A/S ASSY-SEPARATE ROLLER; M4580,SEC	SA	1
8	3		JC82-00381A	A/S ASSY-EXIT STACKER; M4580,SEC	SA	1

7. PLATEN

Exploded View



Parts List

No.	Lvl.	Loc.	Material Code	Description & Specification	SNA	Qty.
1	3		JC97-04454A	PLATEN-UPPER; M4580,SEC	SNA	1
1-1	4		JC63-04556A	COVER-SCAN UPPER; M4580,ABS,SEC,SPLIT BRO	SNA	1
1-2	4		JC01-00103A	GLASS TEMPERED-ADF; 262*28.5,2.8,Scanner	SNA	1
1-3	4		JC01-00104A	GLASS TEMPERED-PLATEN; 254.4*420,2.8,Scan	SNA	1
2	3		JC97-04826A	PLATEN LOWER-FRAME; C3562,CH,35,No,Module	SNA	1
2-1	4		JC39-02534A	CBF FLAT CABLE-CIS; C4062,24P,900,AWM2062	SA	1
2-2	4	B1103	3301-001877	CORE-FERRITE; 33x30x6.5mm,2800,1500Gauss	SNA	1
2-3	4		JC61-06108A	FRAME-PLATEN; M4580,ABS,HF-0660I,SPLIT BR	SNA	1
2-4	4		JC97-04827A	PLATEN-MAIN; C3562,CH,35,No,Module Transf	SNA	1
2-4-1	5		0605-001237	CONTACT IMAGE SENSOR; 219mm,5184DOT,0.121	SA	1
2-4-2	5		JC97-04717A	PLATEN-GUIDE CIS REAR; C2680,SEC,NON-MD	SNA	1
2-4-3	5		6602-003602	BELT-TIMING GEAR; 932,poly urethan,black	SNA	1
2-4-4	5		JC97-04170A	PLATEN-DRIVETRAIN; CLX-6260ND	SA	1
2-4-5	5		JC61-06361A	BRACKET-CIS; M4580,ABS+PC,BLACK,MOLD	SNA	1
2-4-6	5	E9322	0604-001393	PHOTO-INTERRUPTER; TR,75mW,BGA,TR	SA	4
3	3		JC97-04824A	PLATEN LOWER; C3562,NON-MD	SNA	1
3-1	4		JC63-05103A	GROUND-SCAN LOWER; SL-C2680FX,STS304,0.2,	SNA	1
3-2	4		JC63-05478A	COVER-SCAN LOWER; C3562,ABS,SPLIT BROWN B	SNA	1